

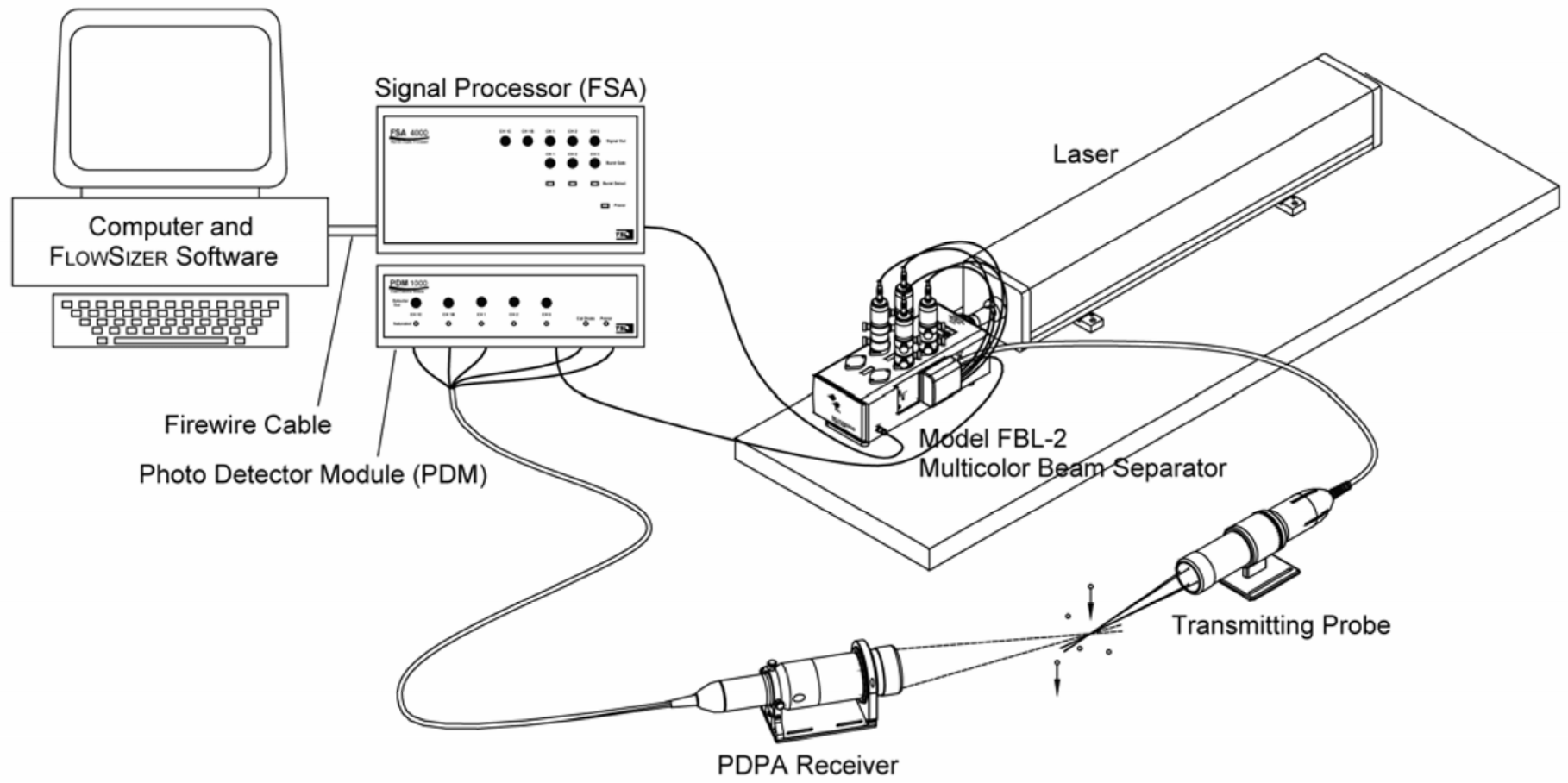
LDV laboratory display

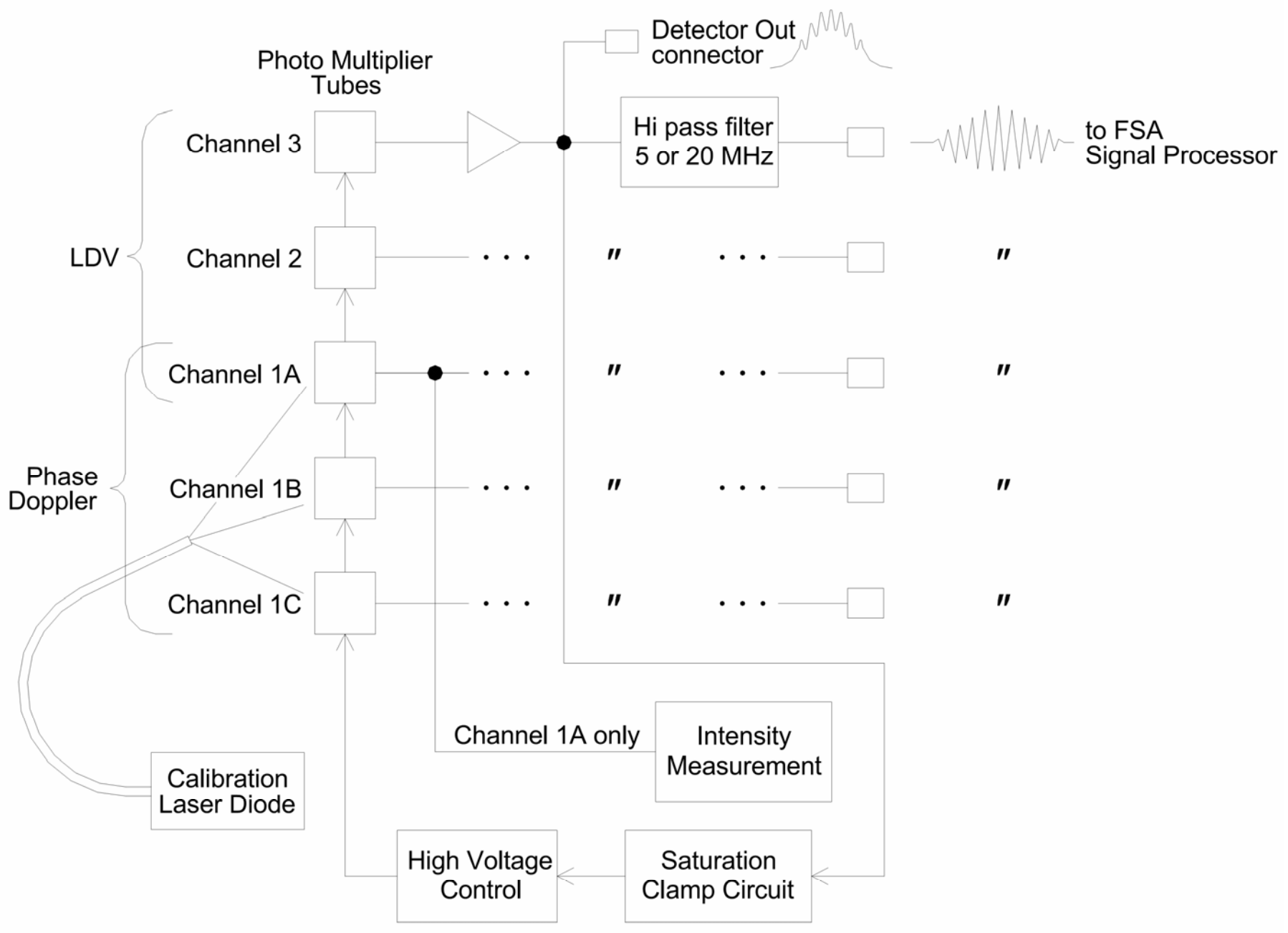
Contents

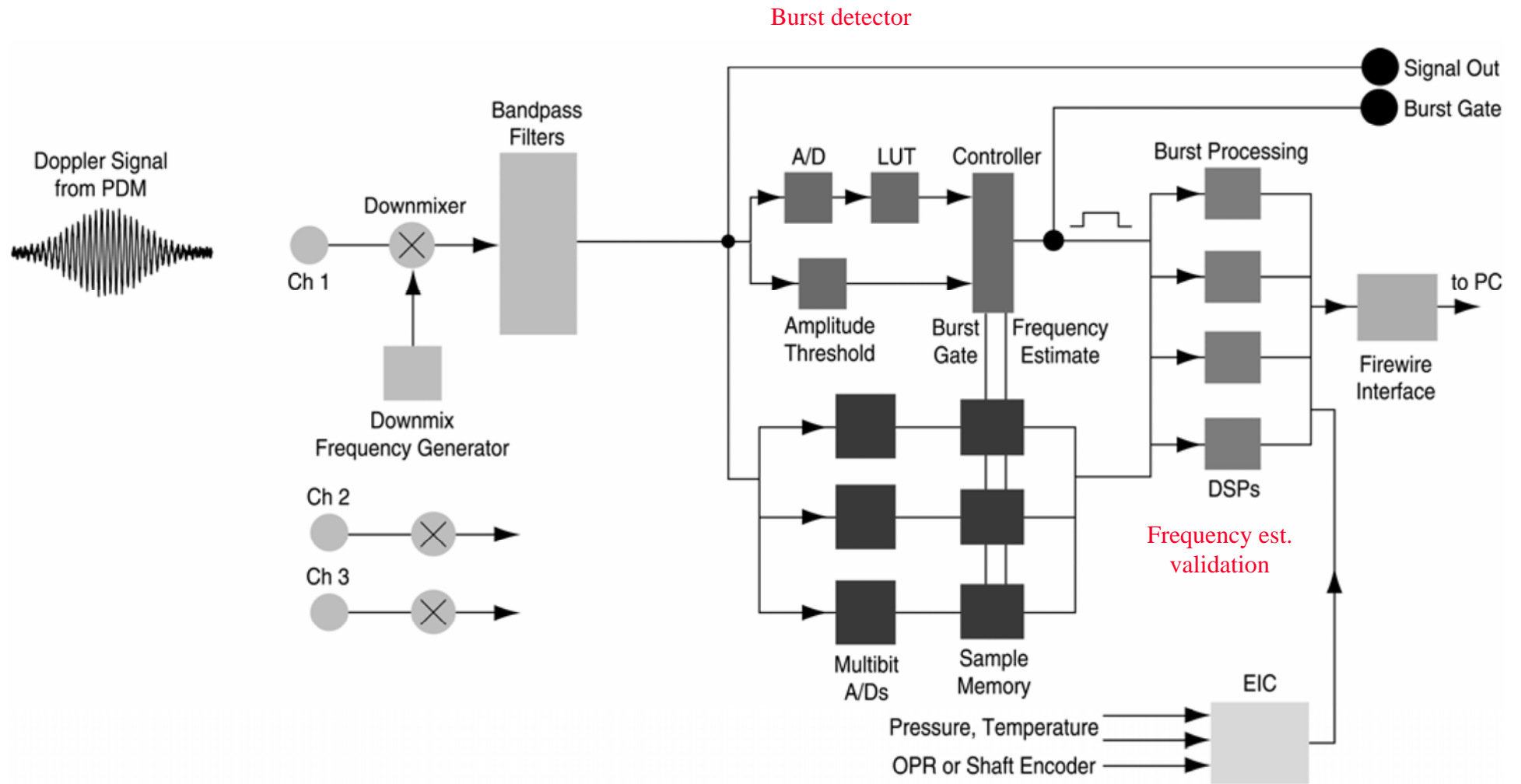
Seeding

System components

- multicolor beam separator
- Bragg cell
- optics
- photodetector
- Signal processing unit

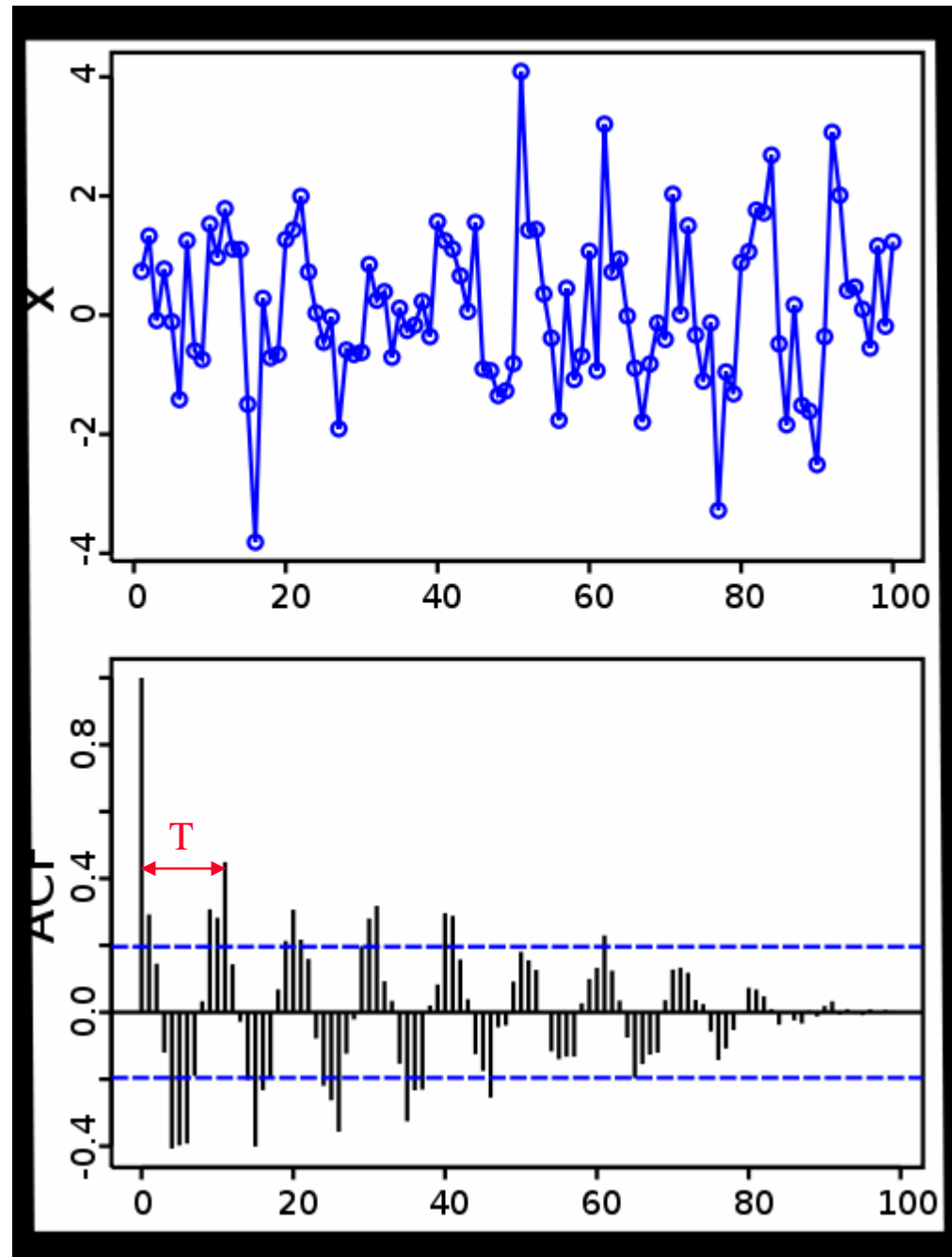






Mintavételezés 3 frekvencián

$$R_f(\tau) = \int_{-\infty}^{\infty} f(t)f^*(t - \tau) dt$$

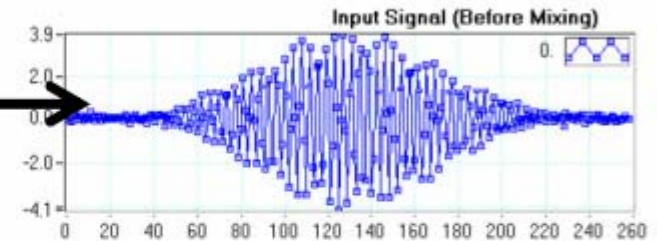


Bandpass and Downmix-example (2/3)



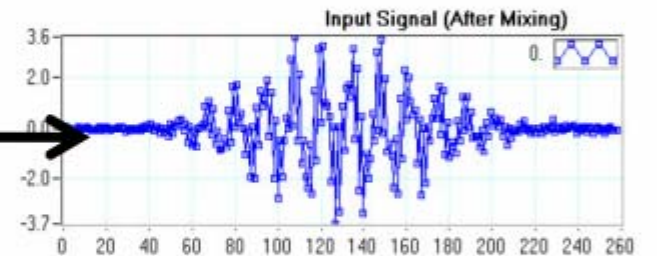
1. Input burst signal

- 41.9 MHz (40MHz Bragg cell + 1.9 MHz input Doppler frequency)



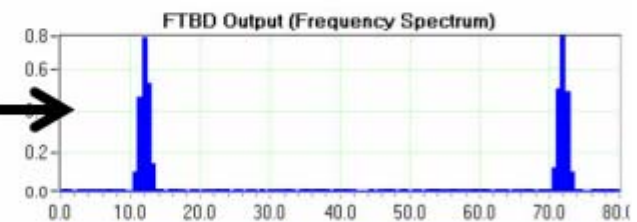
2. Downmixed signal

- Mixing frequency: 30 MHz



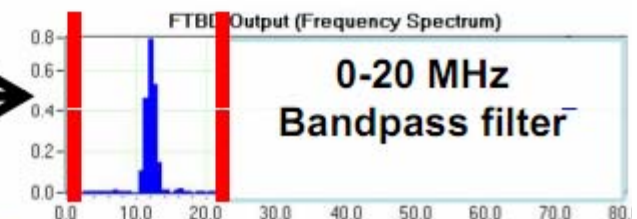
3. Downmixed signal (spectrum)

- Sum: 71.9 MHz
- Difference: 11.9 MHz



4. Applied Bandpass filter

- 0-20 MHz



Burst coincidence

