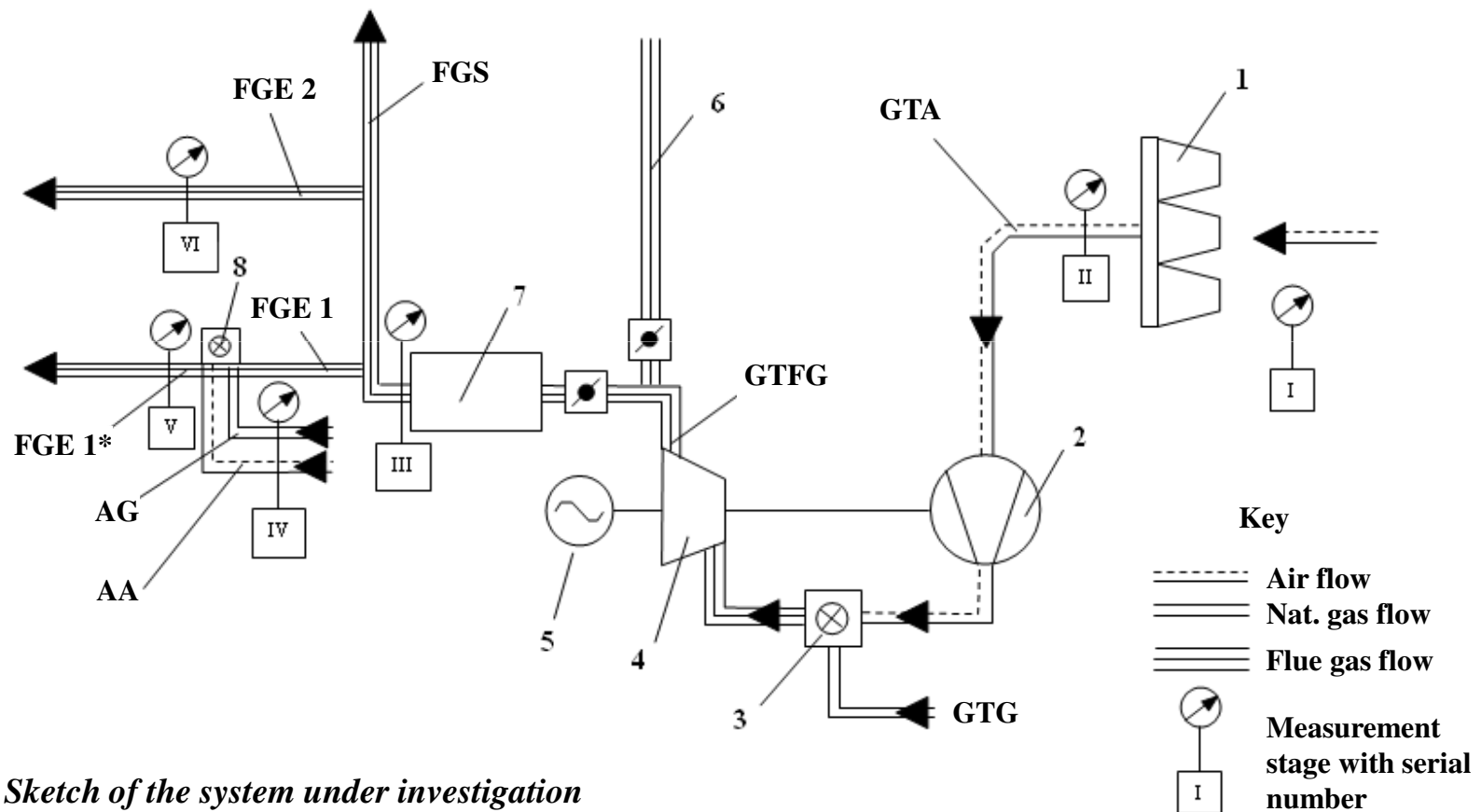


# Survey of a gas turbine power plant



*Sketch of the system under investigation*